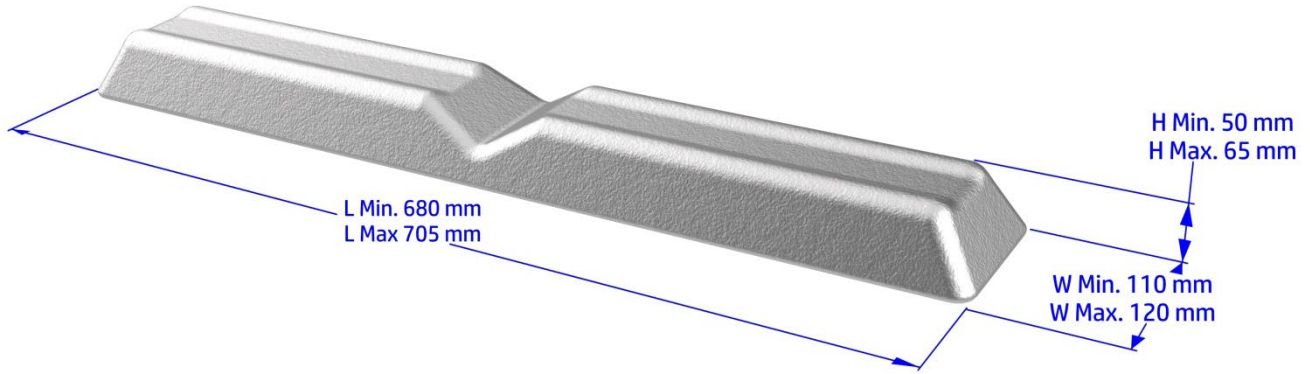


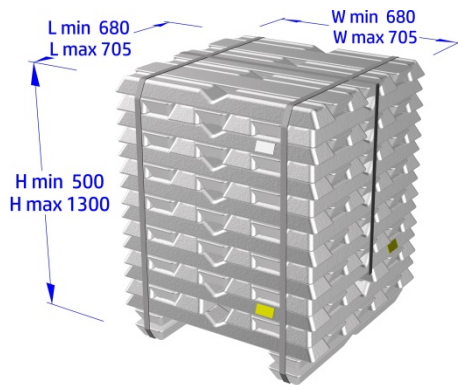
PRODUCT DIMENSIONAL DATA SHEET

INGOT DIMENSIONS



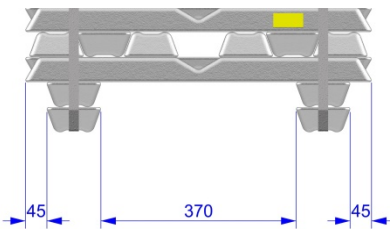
Minimum weight: 7 Kg
Maximum weight: 9 Kg

STANDARD BUNDLE N°1

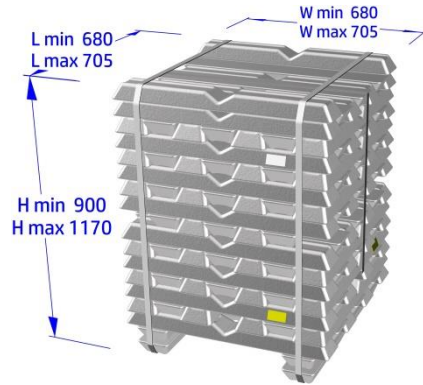


Average minimum weight: 420 Kg
Average maximum weight: 1170 Kg

Bundle dimensions detail

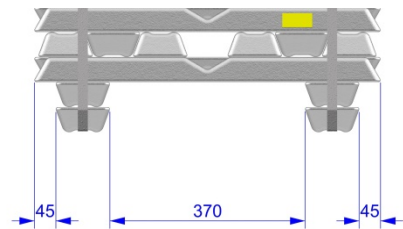


STANDARD BUNDLE N°2



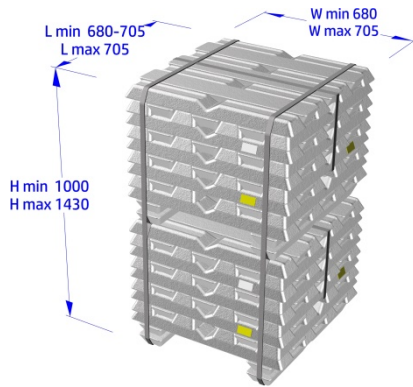
Average minimum weight: 760 Kg
Average maximum weight: 980 Kg

Bundle dimensions detail



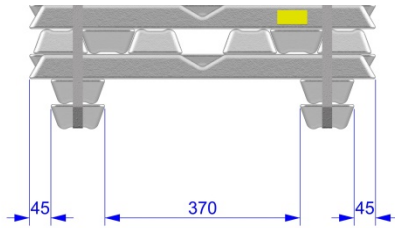
PRODUCT DIMENSIONAL DATA SHEET

STANDARD BUNDLE N°3

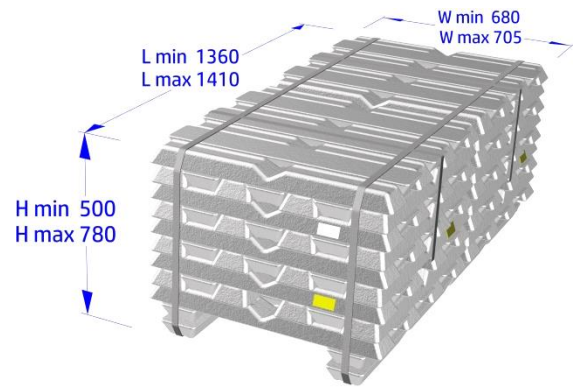


Average minimum weight: 840 Kg
Average maximum weight: 1200Kg

Bundle dimensions detail

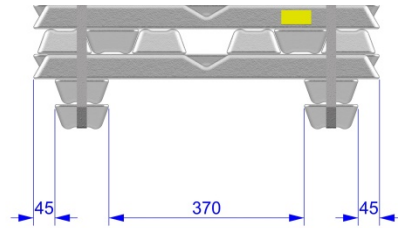


STANDARD BUNDLE N°4

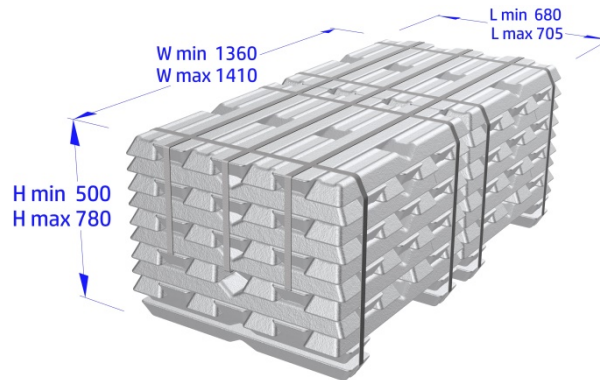


Average minimum weight: 840 Kg
Average maximum weight: 1330 Kg

Bundle dimensions detail

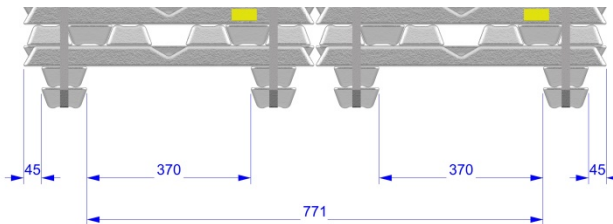


STANDARD BUNDLE N°5



Average minimum weight: 840 Kg
Average maximum weight: 1330 Kg

Bundle dimensions detail



* ANY VARIATION ON THE CONFIGURATIONS OF THE BUNDLE CAN BE AGREED WITH THE CUSTOMER

S.A.V. S.p.A.
Società Alluminio Veneto

Registered office: VIA COLOMBO, 5, 35010 TREBASELEGHE (PD)
ITALY
PHONE: +39 049 9386191 FAX 049 9387828;
E-MAIL : info@sav-al.com WEB: www.sav-al.com

COMPANY WITH
MANAGEMENT SYSTEM
CERTIFIED
= ISO 14001 =
= ISO 45001 =
= ISO 50001 =

VERIFIED ENVIRONMENTAL
MANAGEMENT
EMAS
IT-00184

COMPANY WITH
MANAGEMENT SYSTEM
CERTIFIED
= ISO 9001 =
= IATF 16949 =

